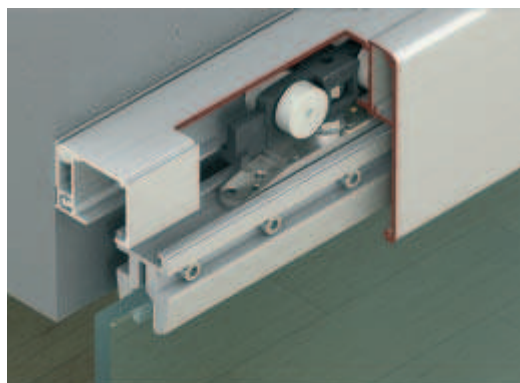


Classic 40-L to 120-L Sliding door fitting

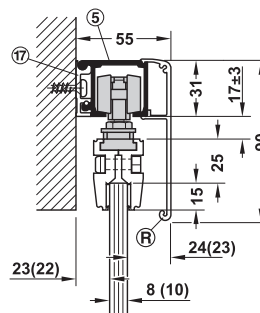
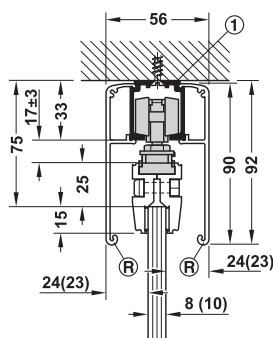
For door weights from 40–120 kg



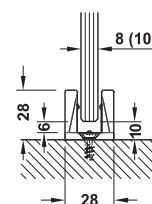
- Area of application: For 1-leaf and 2-leaf sliding doors
- Suitable for: Tempered safety glass
- For glass thickness: Tempered safety glass: 8 and 10 mm
- Adjustment facility: Door height adjustable
- Floor guide: With zero clearance
- Installation: Suspension with flange clip, clamped connection (without tools and without glass drilling)
- Door weight: ≤40/80/120 kg per door



Ceiling installation and wall mounting



Floor guide



→ Classic-L Set for 1-leaf sliding doors

Soft and self closing mechanism	Version	Door width mm	40-L 40 kg	80-L 80 kg	120-L 120 kg
Without	Version A	–	940.43.080	940.82.200	941.25.150
On one side	Version B	≥628 (40–80 kg) ≥717 (120 kg)	940.43.083	940.82.201	941.25.151
On both sides	Version C	≥769–888 (recommended max. width)	940.43.086	940.82.202	–
	Version D	≥889–1008 (recommended max. width)	940.43.088	940.82.203	–
	Version E	≥988 (40–80 kg) ≥1136 (120 kg)	940.43.095	940.82.204	941.25.152

Order reference

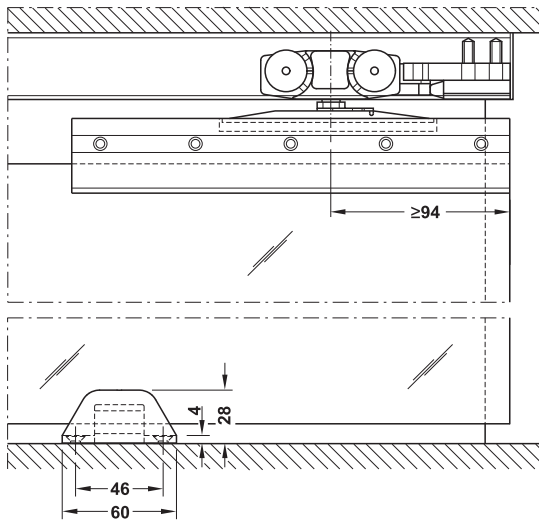
Please order glass clamp shoe, tracks, panels and accessories separately.
Order 2 sets for 2-leaf sliding doors.

Note

End cap for ceiling installation with fascia on both sides not available. One pair of end caps can be glue fixed vertically in the centre of the running track (optional).

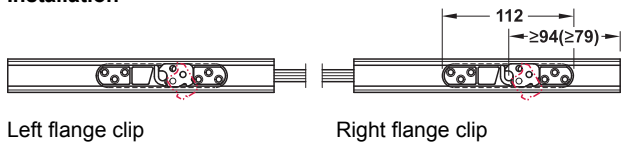
Door handles for sliding doors	▶ BB 3.122	Sliding door locks	▶ BB 9.366
Door seals and accessories	▶ BB 9.276	Tracks and accessories	▶ BB 9.167
Flush pull handles	▶ BB 9.381	Track cleaner	▶ BB 9.85
Synchro fitting	▶ BB 9.170	Stacking	▶ BB 9.171
		Wall pocket solution	▶ BB 9.178





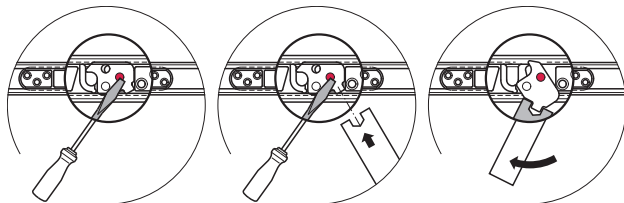
Section guide and trolley hanger

Installation



Left flange clip

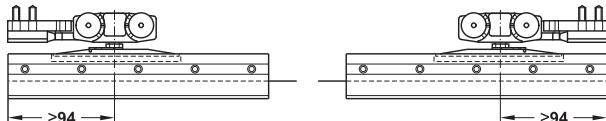
Right flange clip



Removing the flange clip

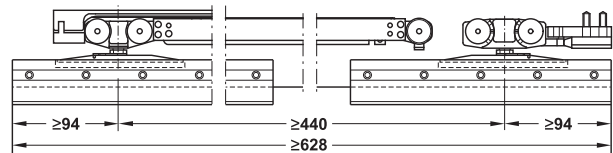
Soft closing versions overview

Version A, without soft and self closing mechanism

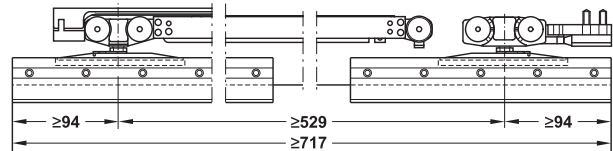


suitable for Classic 40-L to 120-L

Version B, with soft and self closing mechanism on one side

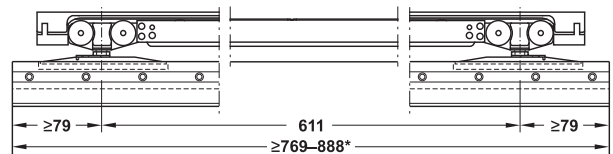


suitable for Classic 40-L and 80-L



suitable for Classic 120-L

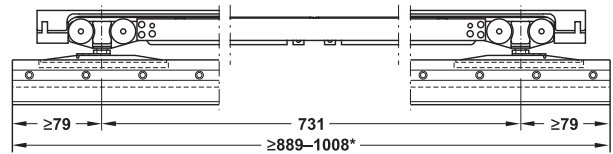
Version C, with soft and self closing mechanism on both sides



suitable for Classic 40-L and 80-L

* recommended max. width

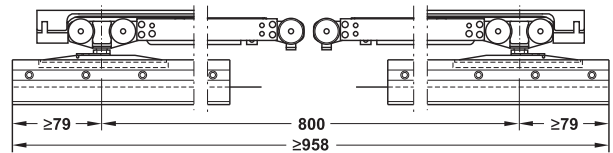
Version D, with soft and self closing mechanism on both sides



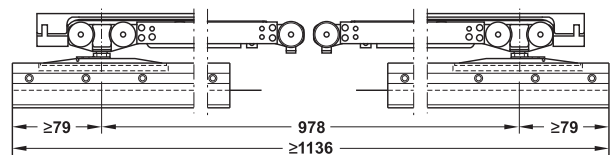
suitable for Classic 40-L and 80-L

* recommended max. width

Version E, with soft and self closing mechanism on both sides



suitable for Classic 40-L and 80-L



suitable for Classic 120-L

Classic 40-L to 120-L Set components

→ Classic 40-L

		Suitable for	For 1 door
Running gear, 4 rollers, suspension screw with nut, flange clip for hooking in (without tools), nickel plated zinc, without soft and self closing mechanism, without glass clamp shoe, with floor guide	Fig. see soft closing versions overview	Version A	2 pieces
		Version B	1 piece
Running gear, 4 rollers, suspension screw with nut, flange clip for hooking in (without tools), nickel plated zinc, with soft and self closing mechanism on one side, without glass clamp shoe, with floor guide	Fig. see soft closing versions overview	Version B	1 piece
		Version E	2 pieces
Running gear, 4 rollers, suspension screw with nut, flange clip for hooking in (without tools), nickel plated zinc, with soft and self closing mechanism on both sides, without glass clamp shoe, with floor guide	Fig. see soft closing versions overview	Version C	1 piece
		Version D	1 piece



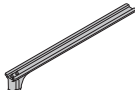
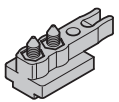
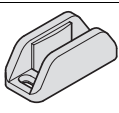
→ Classic 80-L

		Suitable for	For 1 door
Running gear, 4 rollers, suspension screw with nut, flange clip for hooking in (without tools), nickel plated zinc, without soft and self closing mechanism, with floor guide	Fig. see soft closing versions overview	Version A	2 pieces
		Version B	1 piece
Running gear, 4 rollers, suspension screw with nut, flange clip for hooking in (without tools), nickel plated zinc, with soft and self closing mechanism on one side, with floor guide	Fig. see soft closing versions overview	Version B	1 piece
		Version E	2 pieces
Running gear, 4 rollers, suspension screw with nut, flange clip for hooking in (without tools), nickel plated zinc, soft and self closing mechanism on both sides, with floor guide	Fig. see soft closing versions overview	Version C Version D	1 piece

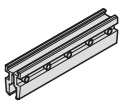
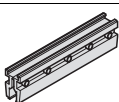
→ Classic 120-L

		Suitable for	For 1 door
Running gear, 4 rollers, suspension screw with nut, flange clip for hooking in (without tools), nickel plated zinc, without soft and self closing mechanism, with floor guide	Fig. see soft closing versions overview	Version A	2 pieces

→ Classic 40-L to 120-L

		Suitable for	For 1 door
Release device with stopper, steel, galvanized		Version B	1 piece
		Version C	2 pieces
		Version D	
		Version E	
Track buffer, with retaining spring and rubber buffer, plastic		Version A	2 pieces
		Version B	1 piece
Floor guide, for glass thickness 8–13 mm		Version A Version B Version C Version D Version E	1 piece

→ Classic 40-L to 120-L Glass clamp shoe sets

		Suitable for	For 1 door	Length mm	Cat. No.
Glass clamp shoe set for glass thickness 8 mm consists of: length 200 mm: 2 clamps length 1000 mm: 1 clamp length 1500 mm: 1 clamp		Version A	1 piece	200	940.43.040
		Version B		1000	940.43.042
		Version C		1500	940.43.044
		Version D			
Glass clamp shoe set for glass thickness 10 mm consists of: length 200 mm: 2 clamps length 1000 mm: 1 clamp length 1500 mm: 1 clamp		Version A	1 piece	200	940.43.041
		Version B		1000	940.43.043
		Version C		1500	940.43.045
		Version D			
		Version E			

Note

Use continuous glass clamp shoe in combination with clip panel  and end cap set.

→ Classic 40-L to 120-L

Running tracks, mounting rails and fixed glass fixing profiles

			Area of application	Material	Finish/colour	Length mm	Cat. No.					
Single running track, pre-drilled, 31 x 33 mm (W x H)	①		For door weights 40–120 kg	Aluminium	Bright	2000	940.43.921					
						3000	940.43.931					
						6000	940.43.961					
										Silver coloured anodized	2000	940.43.922
											3000	940.43.932
											6000	940.43.962
Single running track, pre-drilled, 47.5 x 47 mm (W x H)	②		For door weights 40–120 kg	Aluminium	Silver coloured anodized	2000	940.43.920					
						3000	940.43.930					
						6000	940.43.960					
Double running track, pre-drilled, 70 x 33 mm (W x H)	③		For door weights 40–120 kg	Aluminium	Silver coloured anodized	2000	941.02.920					
						3000	941.02.930					
						6000	941.02.960					
Single running track	⑤		For door weights 40–120 kg	Aluminium	Silver coloured anodized	2000	941.25.920					
						3000	941.25.930					
						6000	941.25.960					
Mounting rail, pre-drilled, width 19 mm	⑬		For door weights 40–120 kg	Aluminium	Silver coloured anodized	2000	941.25.821					
						3000	941.25.831					
						6000	941.25.861					
Mounting rail, pre-drilled width 8 mm	⑭		For door weights 40–120 kg	Aluminium	Silver coloured anodized	2000	941.25.820					
						3000	941.25.830					
						6000	941.25.860					
Mounting rail, high, pre-drilled width 19 mm	⑮		For door weights 40–120 kg	Aluminium	Silver coloured anodized	2000	941.25.823					
						3000	941.25.833					
Mounting rail, high, pre-drilled width 8 mm	⑯		For door weights 40–120 kg	Aluminium	Silver coloured anodized	2000	941.25.822					
						3000	941.25.832					
Fixed glass fixing profile	⑥		For running track ①, ②, ③, for glass thickness 8–12.7 mm	Aluminium	Silver coloured anodized	2000	940.43.820					
						3000	940.43.830					
						6000	940.43.860					
Cover for unused aperture in fixed glass fixing profile, for glue fixing	–		–	Rubber	Grey	5000	940.43.038					
Fixed glass fixing profile, for floor and wall connection	⑭		For wall or floor, for glass thickness 8–12.7 mm, sealing profile ⑮ for glass thickness 10 mm (one side), wet sealing for other glass thicknesses	Aluminium	Silver coloured anodized	2000	940.43.822					
						3000	940.43.832					
						6000	940.43.862					
										Stainless steel coloured	2000	940.43.823
											3000	940.43.833
											6000	940.43.863
Sealing profile	⑮		For glass thickness 10 mm	Rubber	Transparent	10000	940.43.035					
End cap for fixed glass fixing profile (1 piece)	–	–	–	Plastic	Silver coloured	–	940.43.059					

Note

Aluminium bright running track cannot be used in combination with a clip panel.

Order reference

Please order threaded end insert for running track ⑤ and mounting rails ⑬ or ⑭ separately.

Installation (running track ⑤ and mounting rail ⑬, ⑭, ⑮ or ⑯)

Slide in threaded end insert at rail ends or screw-in screw at rail ends (countersink for flush screw head). The running track and mounting rail ends must be fixed with glue points when installed between walls.

Mounting rail ⑮ and ⑯ prevent lightweight construction walls, for example, from tipping.

Installation

Fixed glass installation: Sealing profile for glass thickness 10 mm, wet sealing for glass thickness 8–12.7 mm.

→ Classic 40-L to 120-L Mounting brackets and accessories

			Area of application	Material	Finish/colour	Length mm	Cat. No.
Mounting bracket, with screw and nut	⑩		For running track ①	Steel	Galvanized	36	940.42.061
						44	940.62.061
						64	940.42.063
Key	–		–	Steel	Galvanized	–	940.43.032
Threaded end insert or safety lock screw for running track (1 set)	–		For running track ⑤ and mounting rail ⑯, ⑰, ⑱ or ⑲	Steel	Galvanized	–	941.25.090
Centring door stop	–		For glass thickness 8, 10, 12 mm	Zinc alloy	Nickel plated matt	–	940.82.070
Floor guide, with zero clearance	–		For glass thickness 8–13 mm, adjustable	Zinc alloy	Nickel plated matt	–	940.82.040
Floor guide	–		For glass thickness 8, 10, 12.7 mm	Zinc alloy	Nickel plated matt	–	940.82.030
			For glass thickness 8 mm				940.82.031
			For glass thickness 10 mm				940.82.032

Note

Install wall mounting bracket ⑩ every 400 mm.
2 threaded end inserts for each running track are sufficient.

→ Classic 40-L to 120-L Panels and accessories

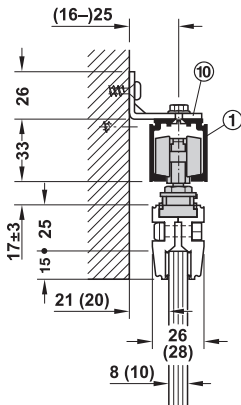
			Area of application	Material	Finish/colour	Length mm	Width mm	Cat. No.
Clip panel, height 56 mm	Ⓕ		For running track ①, ②, ③, ④ and ⑤	Aluminium	Silver coloured anodized	2000	–	940.43.123
						3000	–	940.43.133
						6000	–	940.43.163
Clip panel, height 90 mm	Ⓖ		For running track ①, ②, ③ and ⑤	Aluminium	Silver coloured anodized	2000	–	941.25.720
						3000	–	941.25.730
						6000	–	941.25.760
Clip panel, for integration in suspended ceilings	Ⓖ		For running track ① and ③	Aluminium	Silver coloured anodized	2000	–	940.43.620
						3000	–	940.43.630
						6000	–	940.43.660
End cap set	–		For running track ① and panel Ⓗ	Plastic	Silver coloured	–	54	941.25.030
			For running track ② and panel Ⓗ	Plastic	Silver coloured	–	59	941.25.032
			For running track ⑤ with mounting rail ⑰, ⑲ and panel Ⓗ	Plastic	Silver coloured	–	52	941.25.039
			For running track ⑤ with mounting rail ⑯, ⑱ and panel Ⓗ	Plastic	Silver coloured	–	63	941.25.038
			For running track ① and panel Ⓕ, for running track ⑤ with mounting rail ⑰, ⑲ and panel Ⓕ	Plastic	Silver coloured	–	54	940.43.028
			For running track ⑤ with mounting rail ⑯, ⑱ and panel Ⓕ	Plastic	Silver coloured	–	64	940.43.037
Clip panel set, height 43 mm	Ⓖ		For glass clamp shoe (4 pieces)	Aluminium	Silver coloured anodized	200	–	940.43.046
			For glass clamp shoe (2 pieces)	Aluminium	Silver coloured anodized	1000	–	940.43.047
						1500	–	940.43.048
End cap set	–		For glass thickness 8 mm	Plastic	Silver coloured	–	–	940.43.049
			For glass thickness 10 mm	Plastic	Silver coloured	–	–	940.43.050
Sample case	–	–	–	–	–	–	–	732.06.916



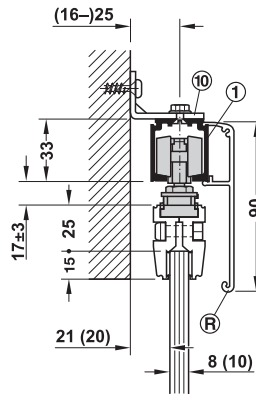
Classic Individual components

For Classic 40-L to 120-L sliding door fittings

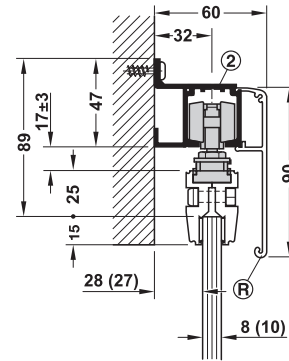
Other installation options:



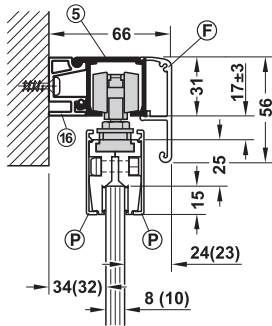
Wall mounting with mounting bracket



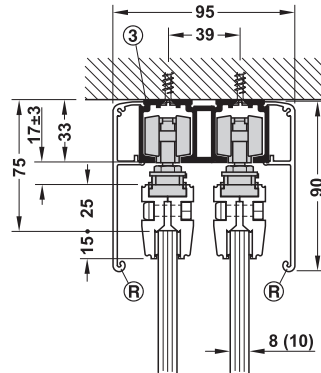
Wall mounting with mounting bracket and clip panel 90 mm



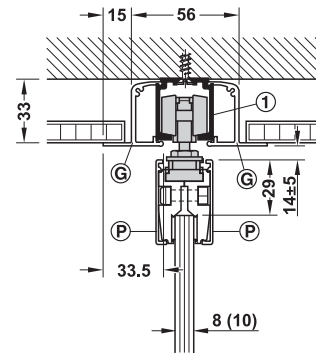
Wall mounting with running track and clip panel 90 mm



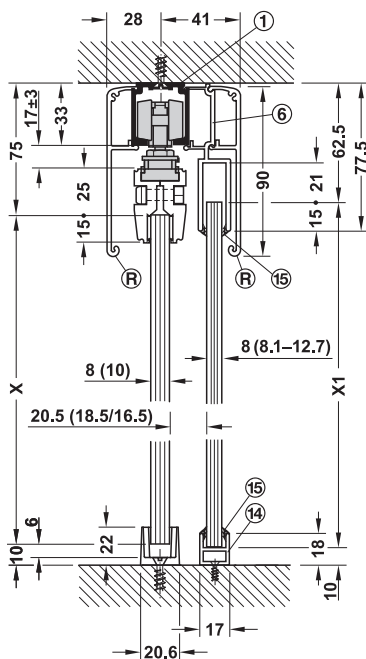
Wall mounting with running track and clip panel 56 mm, and clip panel with continuous glass clamp shoe



Ceiling installation with double running track and clip panel 90 mm

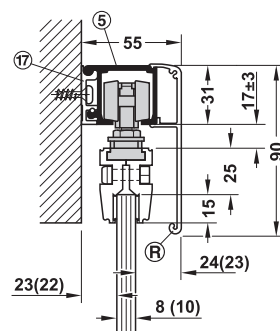


Ceiling installation with running track and 2 x clip panel for integration in suspended ceilings, with continuous glass clamp shoe

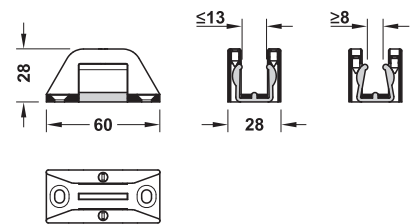


Ceiling installation with running track and clip panel 90 mm including fixed component

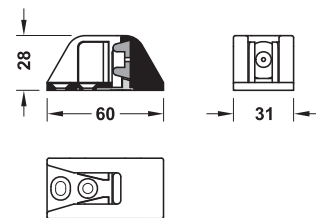
Seal on one side with glass thickness 10 mm, wet sealing with glass thickness 8–12.7 mm



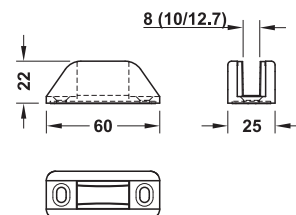
Wall mounting with running track, mounting rail 8 mm and clip panel 90 mm



Bottom guide with zero clearance



Centring door stop



Floor guide

DGH-B 2015, HDE-en, 06/15; Dimensional data not binding. We reserve the right to alter specifications without notice.