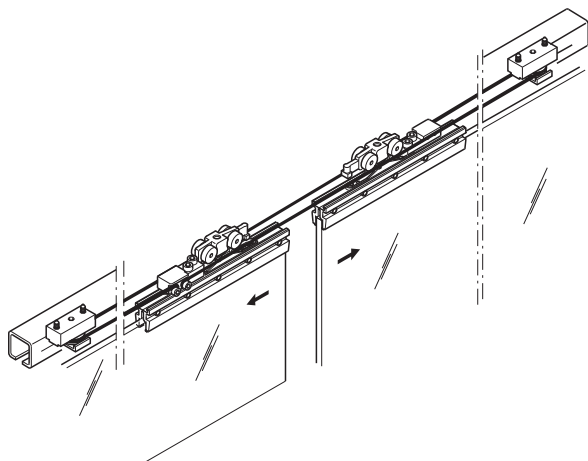




Classic Synchro Additional set

For Classic 40-L to 120-L sliding door fittings



- Area of application: For 2-leaf sliding doors
- Functionality: For symmetrical opening of 2 door leaves
- Door width: ≥ 600 and ≤ 1500 mm

→ Classic Synchro Additional set

Note

The additional set must be ordered in combination with 2 sets (Classic 40-L to 120-L) and running track.

Not suitable for versions with soft and self closing mechanism.

	Cat. No.
For 2-leaf sliding doors	941.02.005

→ Classic Synchro Set components

		For 2 doors	Cat. No.
Track buffer, with deflection roller		2 pieces	940.60.090
Cable fixing block		2 pieces	940.60.099
Cable without plastic sheathing, 10 m		1 piece	940.44.074

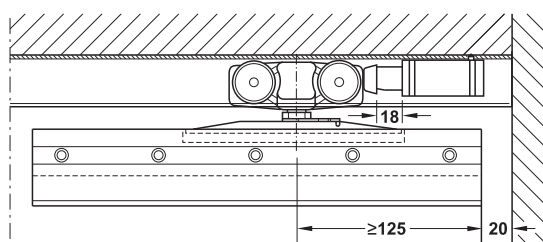
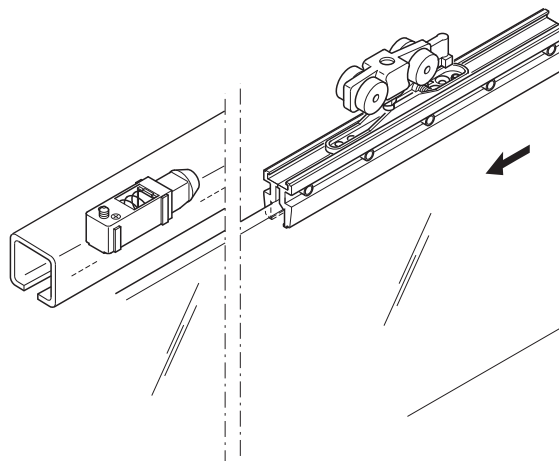
Order reference

Catalogue numbers apply to 1 piece. Please specify required quantity when ordering individual components.

Please order additional cable for door widths $\geq 1,250$ mm.

Stop buffer for additional set

For Classic 40-L to 120-L sliding door fittings



Note

Not suitable for use in combination with soft and self closing mechanism.

- Functionality: The stop buffer replaces the sprung handle with sliding doors that run in walls. The door bounces back out of the cavity after pushing it slightly so that the flush pull handle can be reached.
- Installation: The stop buffer is pushed into the running track from the front edge and fixed using fixing screw. A wall distance of min. 20 mm must be provided in order to ensure the functionality of the soft closing action.

		Door weight kg	Cat. No.
Stop buffer		40	940.42.070
		80	940.42.071
		120	940.42.072