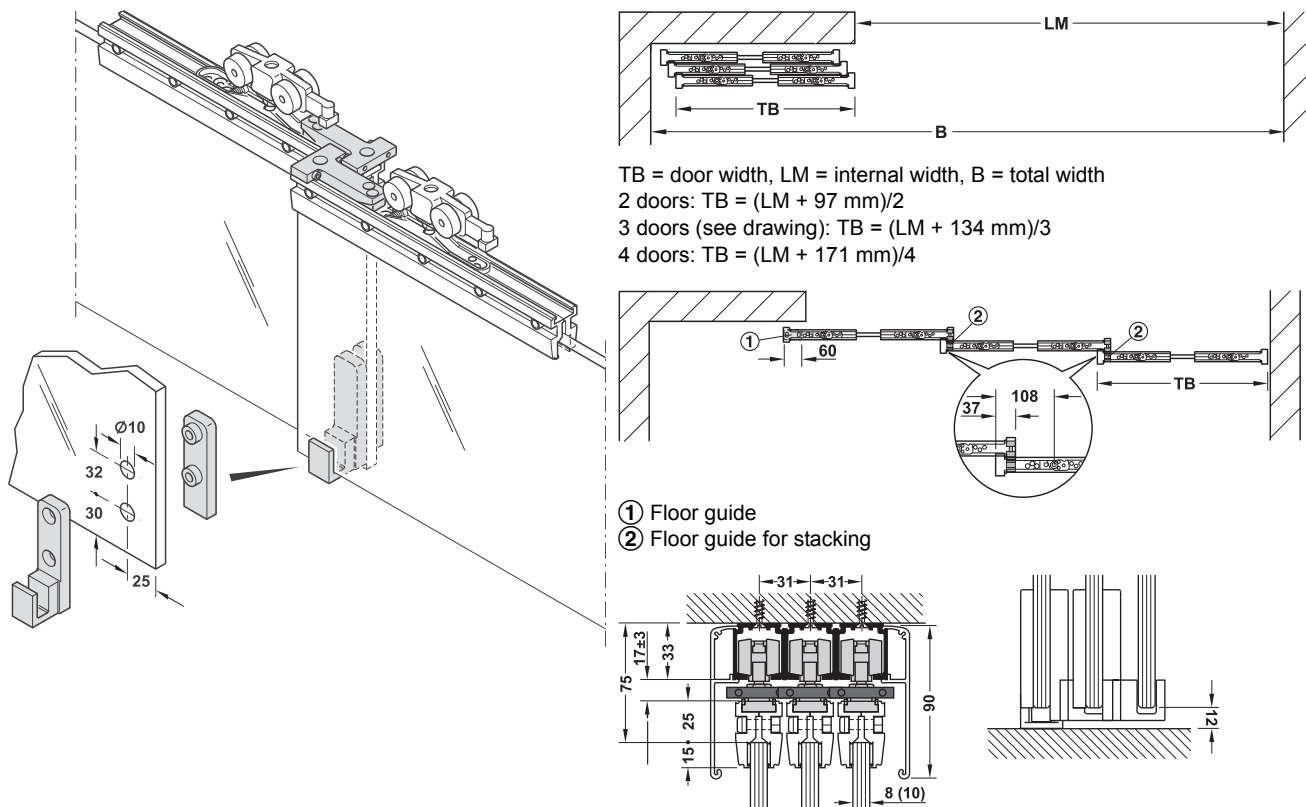


Classic Additional set for stacking

For Classic 40-L to 120-L sliding door fittings



TB = door width, LM = internal width, B = total width
 2 doors: $TB = (LM + 97 \text{ mm})/2$
 3 doors (see drawing): $TB = (LM + 134 \text{ mm})/3$
 4 doors: $TB = (LM + 171 \text{ mm})/4$

① Floor guide
 ② Floor guide for stacking

- Area of application: For 2-leaf to 4-leaf sliding doors
- Functionality: For stacking 2 to 4 door leaves
- For glass thickness: Tempered safety glass: 8 and 10 mm
- Door width: $\geq 700 \text{ mm}$

Note

The additional set can only be used in combination with the respective number of door sets (see cross reference), respective number of running tracks and panels.

The use for versions with soft and self closing mechanism is only suitable to a limited extend as a smooth opening and closing action cannot be ensured.

		For 2 doors	For 3 doors	For 4 doors	Cat. No.
Floor guide		1 piece	1 piece	1 piece	940.82.030
Follower		4 pieces	6 pieces	8 pieces	940.44.410
Floor guide for stacking set, for glass thickness 8 and 10 mm		1 set	2 sets	3 sets	940.44.210

→ Running tracks and panels

Note

For other panel versions see cross reference.

Suitable end cap set is not available.

		Area of application	Material	Finish/colour	Length mm	Cat. No.
Single running track, pre-drilled, 31 x 33 mm (W x H)		For door weights 40–120 kg	Aluminium	Silver coloured anodized	2000	940.43.922
					3000	940.43.932
					6000	940.43.962
Clip panel, height 90 mm		For running track ①, ②, ③, ④ and ⑤	Aluminium	Silver coloured anodized	2000	941.25.720
					3000	941.25.730
					6000	941.25.760

Classic 40-L to 120-L sliding door fitting

► BB 9.164