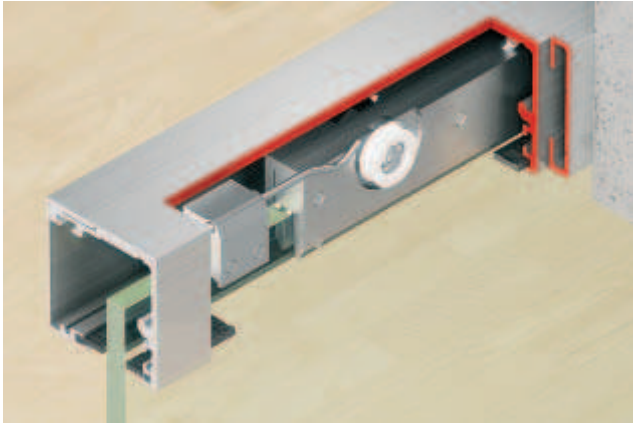
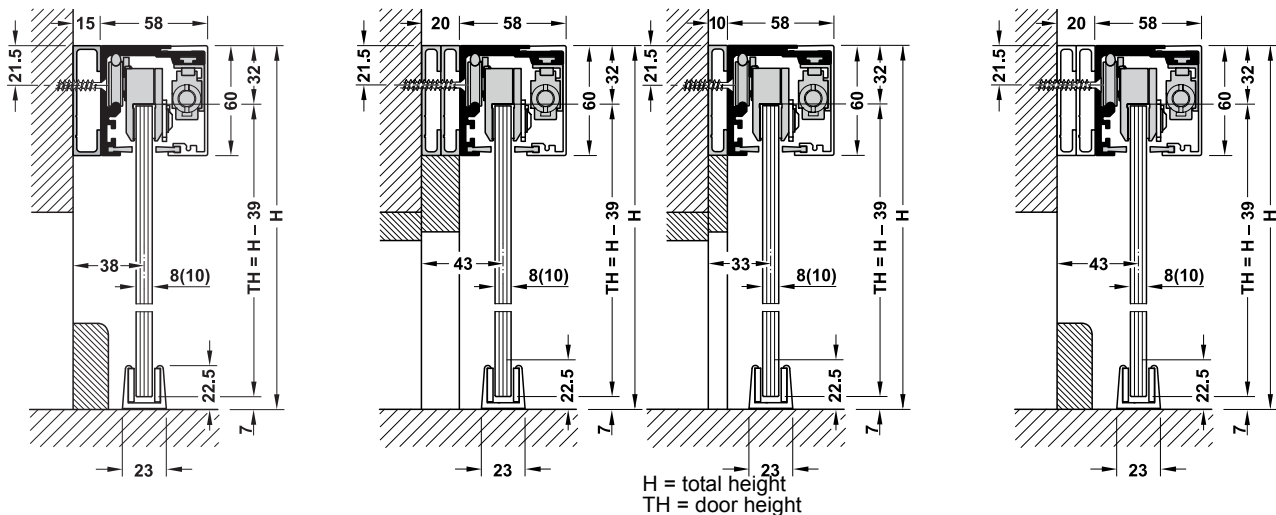


## → Wall compensation unit profile



- Installation: Wall mounting

	Distance mm	Length mm	Finish	Cat. No.
Wall compensation unit profile, for glue fixing, not drilled, consists of 60 x 15 mm (HxT) profile	15	2000	Silver coloured anodized	940.67.632
			Stainless steel coloured anodized	940.67.642
Wall compensation unit profile, for glue fixing, not drilled, consists of 60 x 10 mm (HxT) profile	10		Silver coloured anodized	940.67.652
			Stainless steel coloured anodized	940.67.662
End caps, 1 pair, 78 x 60 mm (WxH), for compensating 10, 15 and 20 mm distance, for clip fixing	-	-	Silver coloured	940.67.062
			Stainless steel coloured	940.67.063



### Note

2 x 10 mm compensation units must be used for 20 mm wall distance.

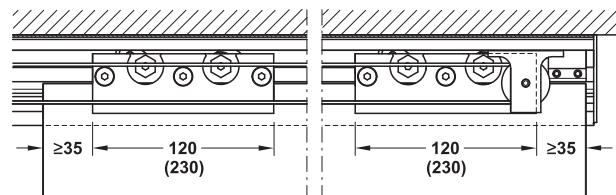
### Installation reference

End cap can be adapted to the respective wall distance.

## → Classic F Synchro Additional fitting



- Door weight: ≤80 kg per door
- Door width: ≥500–1050 mm



DGM = end-to-end length  
TB = door width

### Note

Order 2 basic sets for Synchro version.  
Not suitable for use in combination with soft and self closing mechanism.

	Cat. No.
Synchro Glas additional set	940.67.012

Packing: 1 piece